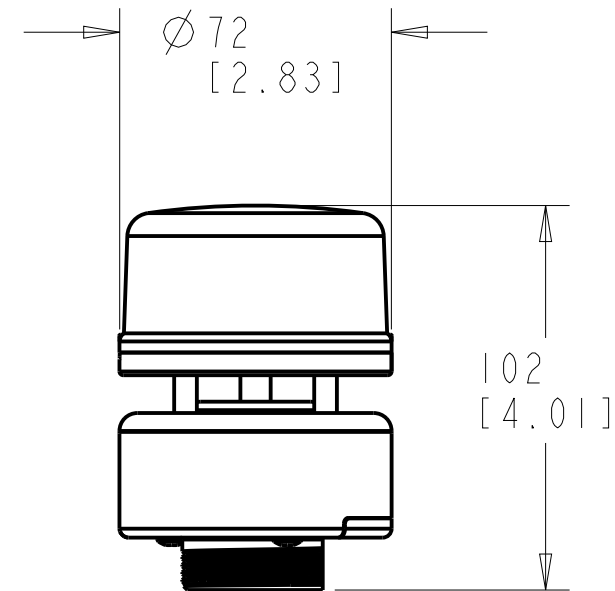
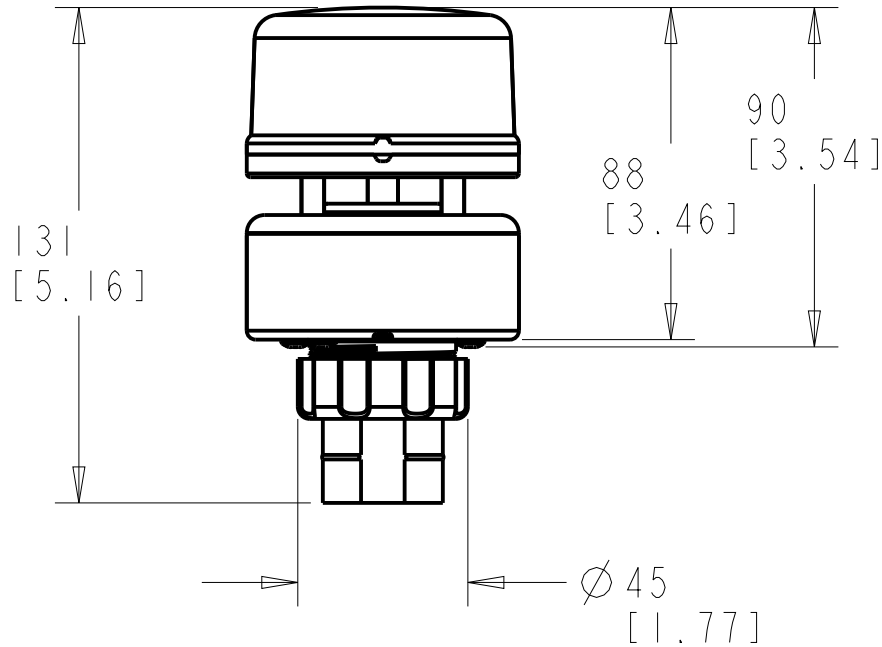
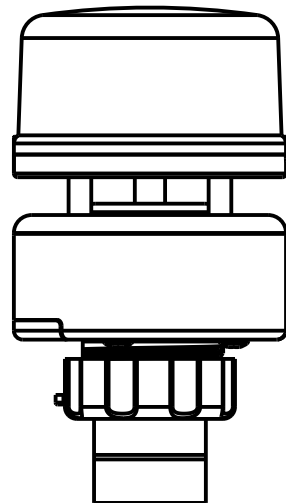
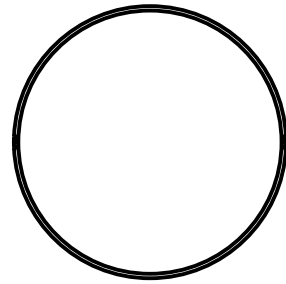


THIRD ANGLE PROJECTION		REVISIONS				
		REV	DESCRIPTION	ECO NO	DATE	CHG/CHK
01	RELEASE TO PRODUCTION.	11088	05/21/12	ALB/FSC		
02	REMOVE 300WX AND ADD 200WX IN TITLE BLOCK.	12335	05/02/14	SMB/FSC		
03	CHANGE "100WX, 150WX OR 200WX" TO "WX SERIES WEATHER STATION" IN TITLE BLOCK	13378	02/19/16	TLY/FSC		
04	ADD VIEW OF ASSEMBLY WITHOUT NUT AND ADAPTER. ADD DIMENSION HEIGHT TO BOTTOM OF HOUSING.	14418	06/16/17	RLE/BVT		



NUT AND ADAPTER OMITTED FOR CLARITY

UNLESS OTHERWISE SPECIFIED DIMENSIONS ARE IN MILLIMETERS TOLERANCES ON 2 PL DECIMALS: ±1 3 PL DECIMALS: ±0.5 ANGLES: ±1/2° FRACTIONS: ±1/16	SIGNATURE	DATE	AIRMAR AIRMAR TECHNOLOGY CORPORATION 35 MEADOWBROOK DR MILFORD NH 03055-4613 USA TEL: 603-673-9570 FAX: 603-673-4624
	DRAWN: R.CULLEN CHECKED: F.CHASE	02/08/11 02/16/11	
MATERIAL CHEMICAL RESISTANT, WEATHERABLE PLASTIC WITH A PLASTIC OR AN ALUMINUM REFLECTOR	SIZE B	SCALE: NONE SHEET 1 OF 1	NUMBER 92-262-02 REV 04