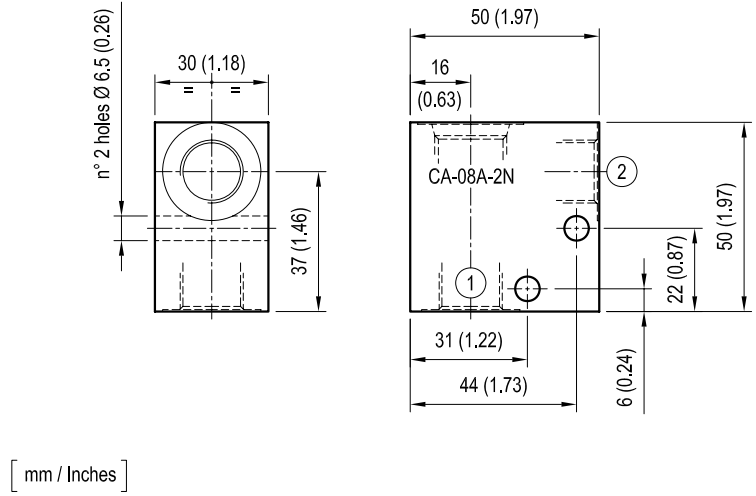


Standard manifolds - Common cavity Size 08 - Aluminium / Steel

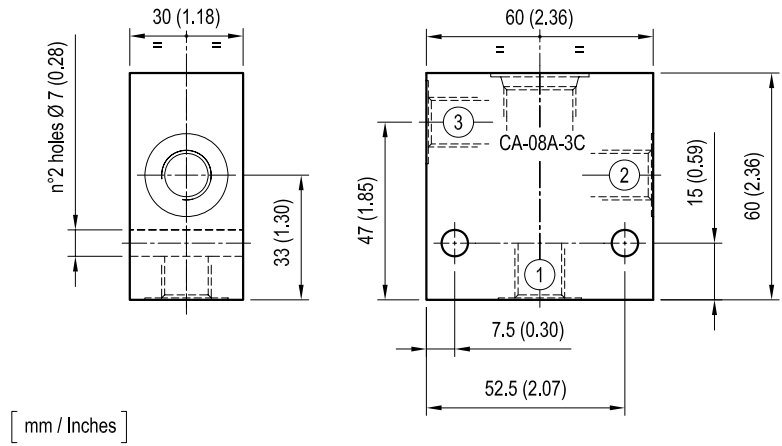
CAVITY: CA-08A-2N

| | Ordering code | Ports 1-2 | Weight kg (lbs) |
|-----------|-------------------------|--------------|--------------------|
| Aluminium | OC1009009 R901090786 | G 1/4 | 0.17 (0.38) |
| | OC1009004 R901082022 | G 3/8 | 0.16 (0.35) |
| Steel | OC1009067 R901090800 | G 1/4 | 0.47 (1.04) |
| | OC1009066 R901090799 | G 3/8 | 0.45 (0.99) |



CAVITY: CA-08A-3C

| | Ordering code | Ports 1-2 3 | Weight kg (lbs) |
|-----------|-------------------------|------------------|--------------------|
| Aluminium | OC1009262 R934000223 | G 1/4 G 1/4 | 0.25 (0.55) |
| | OC1009260 R934000221 | G 3/8 G 1/4 | 0.25 (0.55) |
| Steel | OC1009263 R934000224 | G 1/4 G 1/4 | 0.71 (1.57) |
| | OC1009261 R934000222 | G 3/8 G 1/4 | 0.69 (1.52) |



CAVITY: CA-08A-3C
(DOUBLE CAVITY)

| | Ordering code | Ports V1-V2-C1-C2 | Weight kg (lbs) |
|-----------|-------------------------|----------------------|--------------------|
| Aluminium | OC1009185 R934000146 | G 3/8 | 0.36 (0.79) |
| Steel | OC1009184 R934000145 | G 3/8 | 1.00 (2.21) |

