



Admiral Series Helms

DATA SHEET

HyDrive, Australia's largest selling hydraulic steering for small boats, offers the finest in smooth, powerful steering, with quality and materials that are built to last. Large horsepower outboards are handled with comfort and without feedback from engine torque.

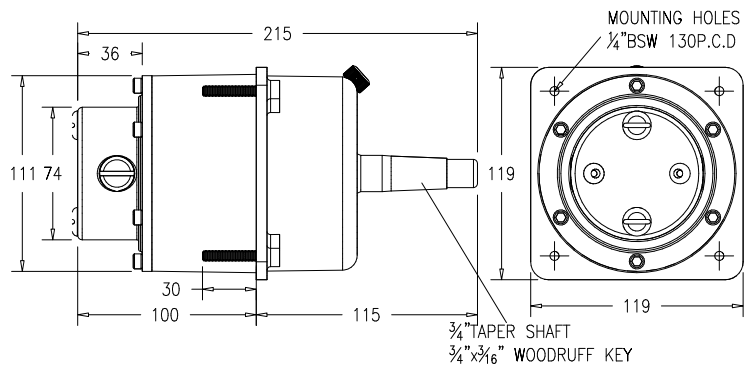
It doesn't matter whether you have a small boat with a small outboard, or a larger craft with multiple V-8's, there is a HyDrive Admiral to suit. Everything you need to handle virtually any boat using outboards, inboards, sterndrives or jet units from 4-15 Metres - delivered in a single carton!

The heart of the Admiral Series is the HyDrive Model 101 & 401 and 102 & 402 helm units. These 7-piston pumps are precision manufactured to standards and tolerances that are second to none. In-built lock valves, which eliminate torque feedback are standard. The light, smooth steering must be experienced to be appreciated.

Designed as a complete Do It Yourself installation, everything you need is supplied including detailed instructions. You don't even have to know anything about hydraulics!



OPTIONAL Model 101 & 102 Mid-mount helm unit



- Compact, front-mount standard helm with minimal protrusion from the console (with rear-mount kit fitted)
- Optional mid-mount or tilting helm style
- In-built lock-valve eliminates torque feedback. The wheel stays where you put it.
- Field replaceable shaft seal.
- Solid stainless steel helm shaft for optimum strength and durability.
- Superior material choice - even the wheel nut and washer are brass.
- 4 precision bearings for smoothest performance.
- All helms are built to High Performance standards
- you don't pay more for HyDrive Power.

Model 101 and 401
28cc/rev
Model 102 and 402
35cc/rev



Model 401 & 402

Model 401 Helm unit is standard in all kits. Other models are optional.



Fully tilting helm design
Model 101 - Tilt or 102 - Tilt

