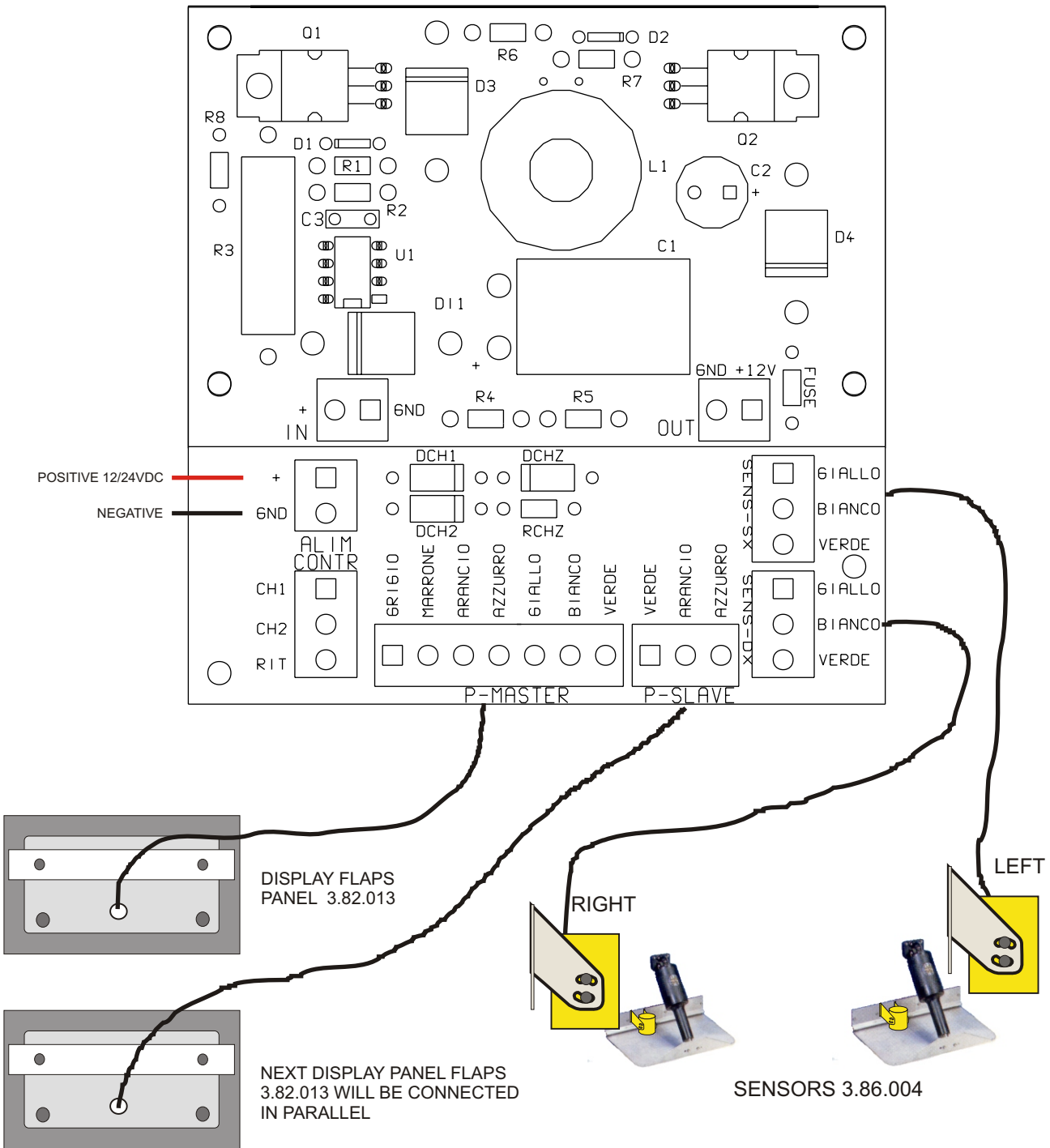


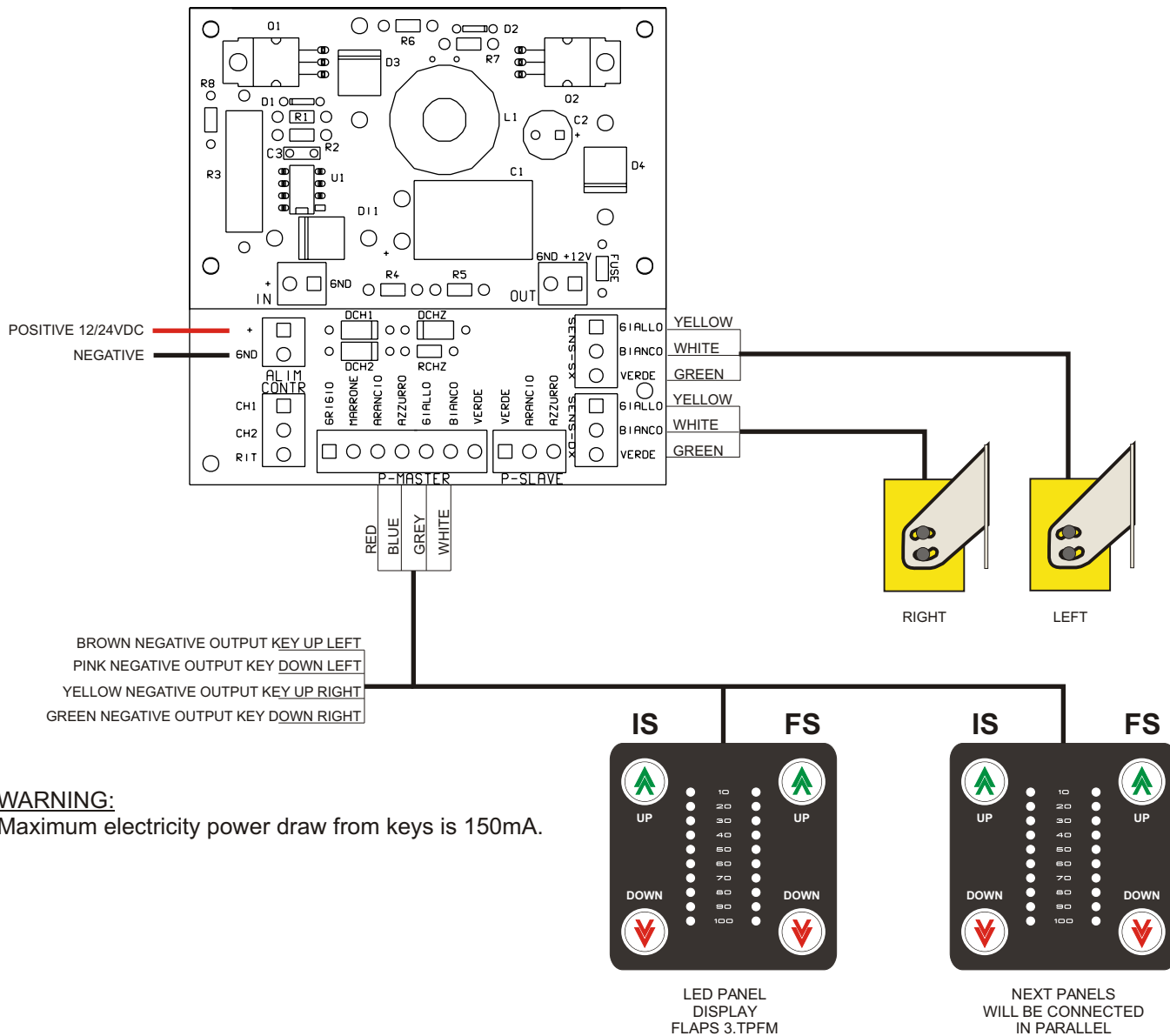
VOLTAGE STABILIZER FOR FLAPS

ITEM CODE 3.86.015

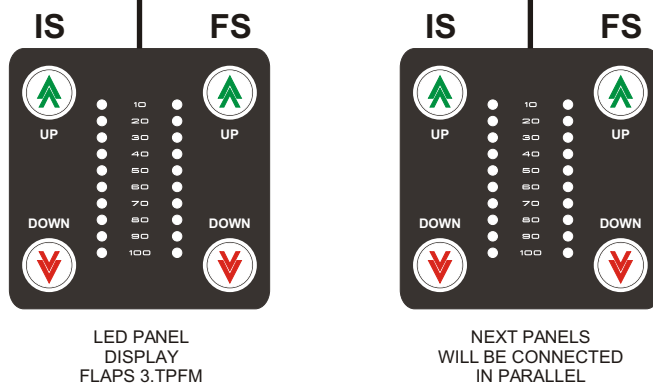


- CH1 POSITIVE UNDER KEY ENGINE 1
- CH2 POSITIVE UNDER KEY ENGINE 2
- RIT AUTOMATIC FLAPS RETURN (ONLY FOR ELECTRONIC POWER UNIT)
- + POSITIVE INPUT 12 / 24V
- GND NEGATIVE INPUT

DEVICE CONNECTION TO SENSORS THROUGH POWER SUPPLY



WARNING:
Maximum electricity power draw from keys is 150mA.



CALIBRATION SETTING

This operation must be arranged during the installation to set the system with value of zero and end of scale of sensors. follow the procedure:

- Activate the flaps to have them all on the bottom side (both).
Push for 5 seconds the key **IS** located on the back side of device
(this operation is confirmed when 2 led on the middle will turn on).
- Activate the flaps to have them all on the upper side (both).
Push for 5 seconds the key **FS** located on the back side of device
(this operation is confirmed when 2 led on the middle will turn on)

