



## DOCUMENTATION SHEET

### Anti-vibration Mountings Type MP 4

# MP 4

#### General

The Multi Purpose (MP) anti-vibration mountings are designed for active isolation of vibrations. They can be used for various applications such as generator sets, pumps, compressors, cabins, containers etc. The internal deflection limiter avoids overload and allows use for mobile applications on trucks and on board of ships. Because of the shape of the mounting with the metal top the natural rubber is perfectly protected against oil and ozone.

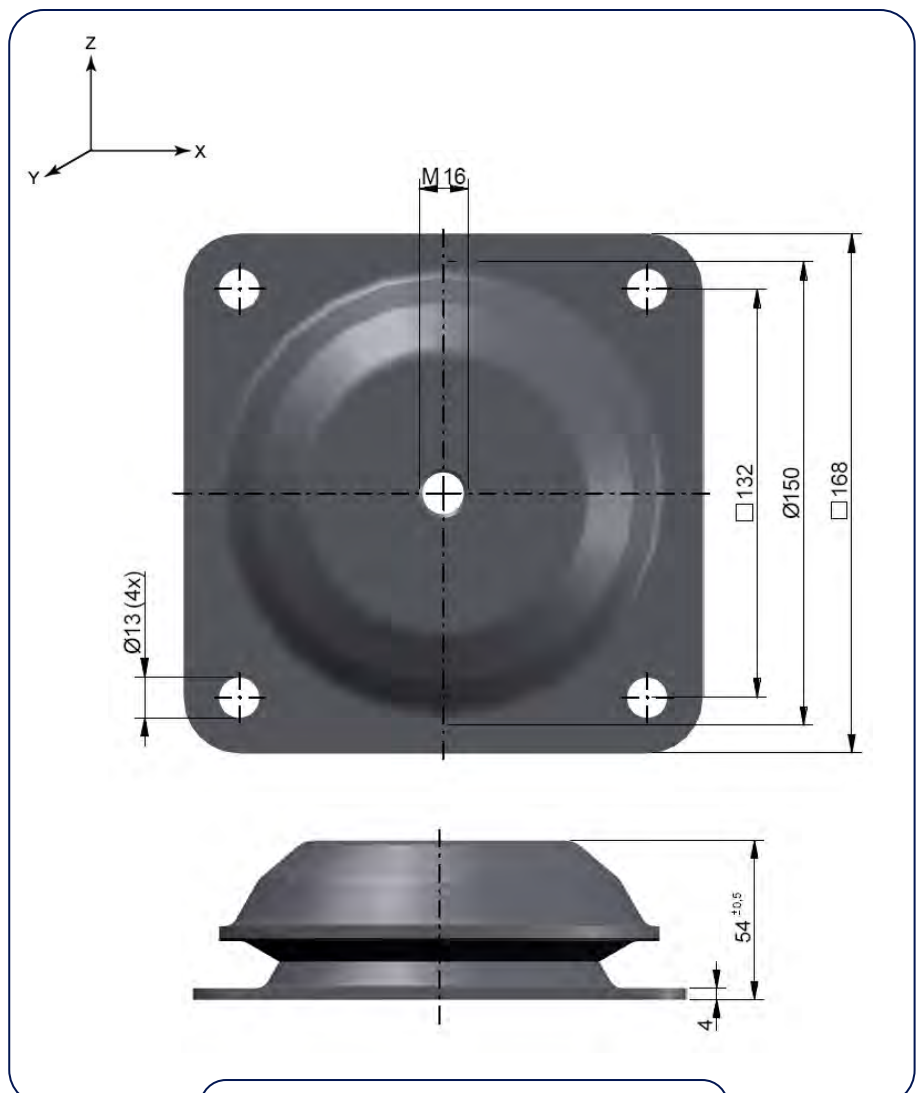
#### Features

The key benefits of the Multi Purpose mountings are easy to calculate and achieve an optimum result, no need for skilled engineers to install them and to conclude the MP mountings are maintenance free. Due to the compact standard range they can be delivered from the shelf.

The Multi Purpose mountings can also be delivered on customer's specification, i.e. with height adjustment or welding plate. Because of the circular shape the spring rates are equal in both horizontal directions. In spite of the small mounting height a reasonable deflection for perfect isolation is guaranteed.

#### Quality control

The mountings are tested and selected on stiffness before delivery to the customers.



#### DIMENSIONS



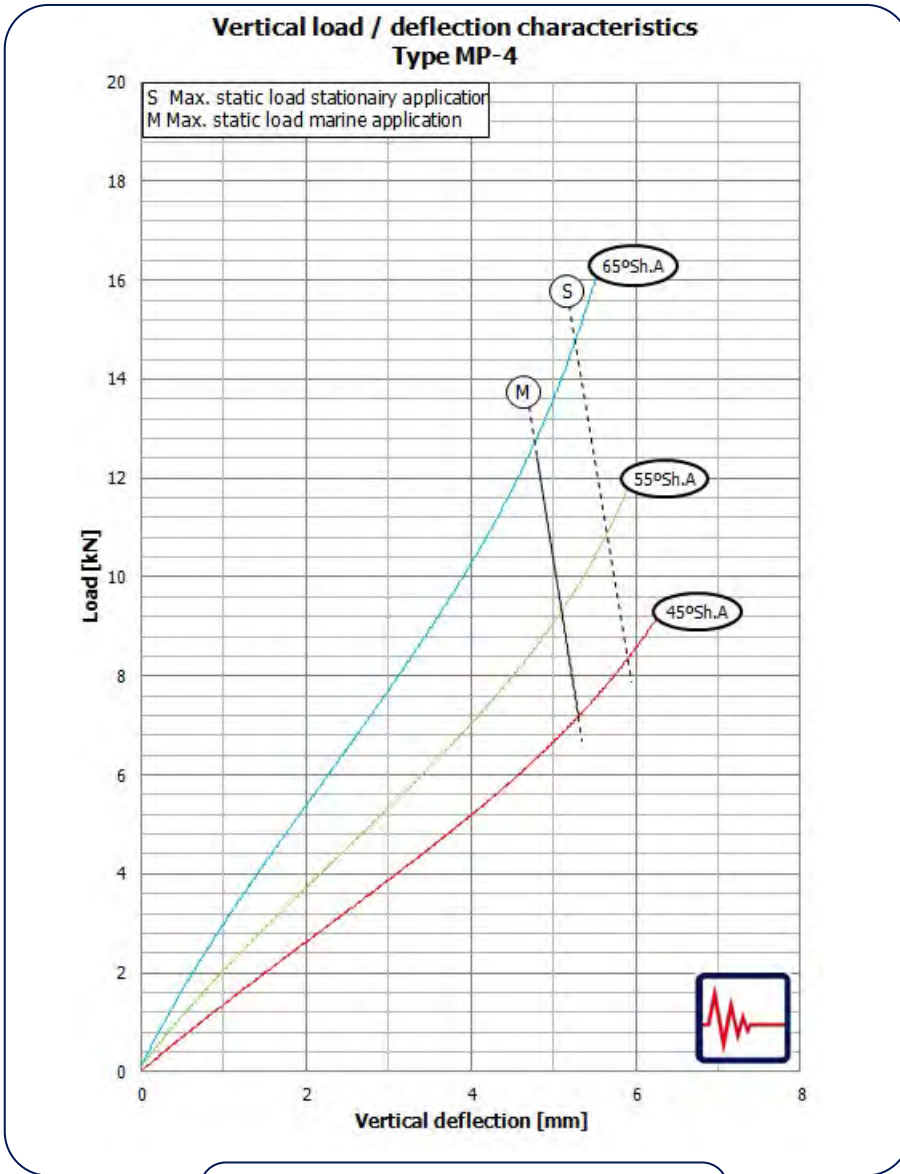
# Rubber Design

vibration and noise control

Rubber Hardness [°Sh. A]	MP4-45	MP4-55	MP4-65
Max Marine load [kN]	7,2	9,2	12,4
Max Static load [kN]	8,4	10,9	14,5
Max Marine vert. defl. [mm]	5,3	5,0	4,8
Max Static vert. defl. [mm]	5,9	5,6	5,3

**CHARACTERISTICS**

MP 4



**SELECTION CURVE**



**CHARACTERISTICS**

**Rubber Design B.V.**  
 Industrieweg 21  
 2995BE Heerjansdam  
 The Netherlands  
 Phone: +31 (0) 78 677 87 78  
 Fax: +31 (0) 78 677 10 38  
 Email: info@rubberdesign.nl  
 Web: www.rubberdesign.nl