

Primetime Pump

Hydraulic Driven Centrifugal Pump

Primetime Hydraulic is a high performance self-priming 316 stainless steel centrifugal pump close coupled to a hydraulic motor. The pump is ideal for marine, agricultural, and industrial applications where suction lift is required.

The Primetime Hydraulic model features all 316 stainless steel components for superior corrosion resistance when pumping chemical compounds. A carbon/ceramic/viton bellows shaft seal is standard. Ports are 3/4" NPT with a 1/8" NPT fill port. The check valve flapper design enhances the self-priming capability to 12 foot suction lift.

The hydraulic motor is designed with SAE #6 ports for the tank side while the pressure side has SAE # 4 ports. Maximum Pressure is 1000 PSI. Maximum Oil Flow is 3 GPM.



SPECIFICATIONS:

Flow.....	Up to 31 gpm
Head	Up to 51'
Housing	316 Stainless Steel (Investment Cast)
Cover	316 Stainless Steel (Investment Cast)
Impeller	316 Stainless Steel Semi-Open (Sintered PM)
Wear Plate	316 Stainless Steel
Mechanical Seal	Carbon/Ceramic/Viton Bellows 150 PSI Special Seals Upon Request
O-ring/Flapper	Viton
Hydraulic Motor	Iron, Gerotor Type, .08 Cu. In. Displacement
Weight	12 lbs.

APPLICATIONS

- Marine
- Agricultural
- Industrial

PUMP CONSTRUCTION

Material:

- 316 Stainless Steel Investment Cast

Mechanical Seal:

- Carbon/Ceramic/Viton

Pump Port Sizes:

- 3/4" NPT
- 1/8" NPT Fill Port

HYDRAULIC MOTOR SPECIFICATIONS

- .08 cu. in displacement
- Max. Oil Flow: 3 GPM
- Max. Pressure: 1000 PSI

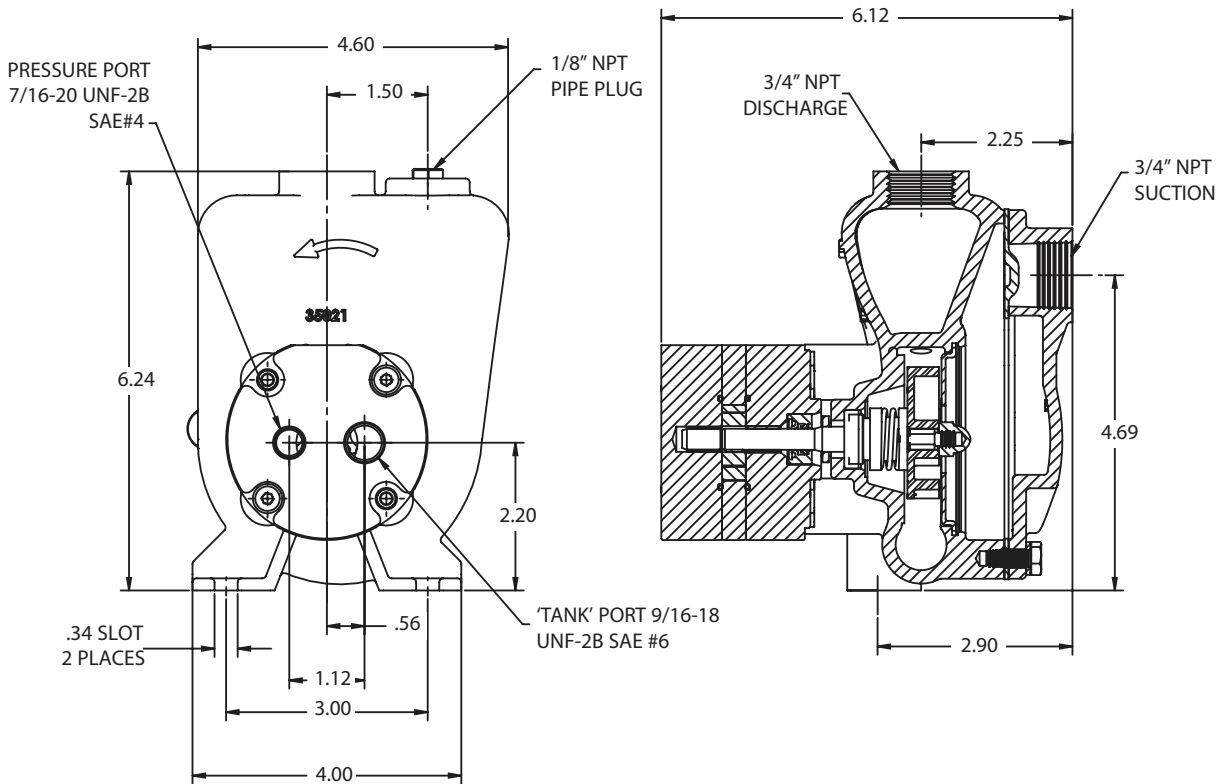
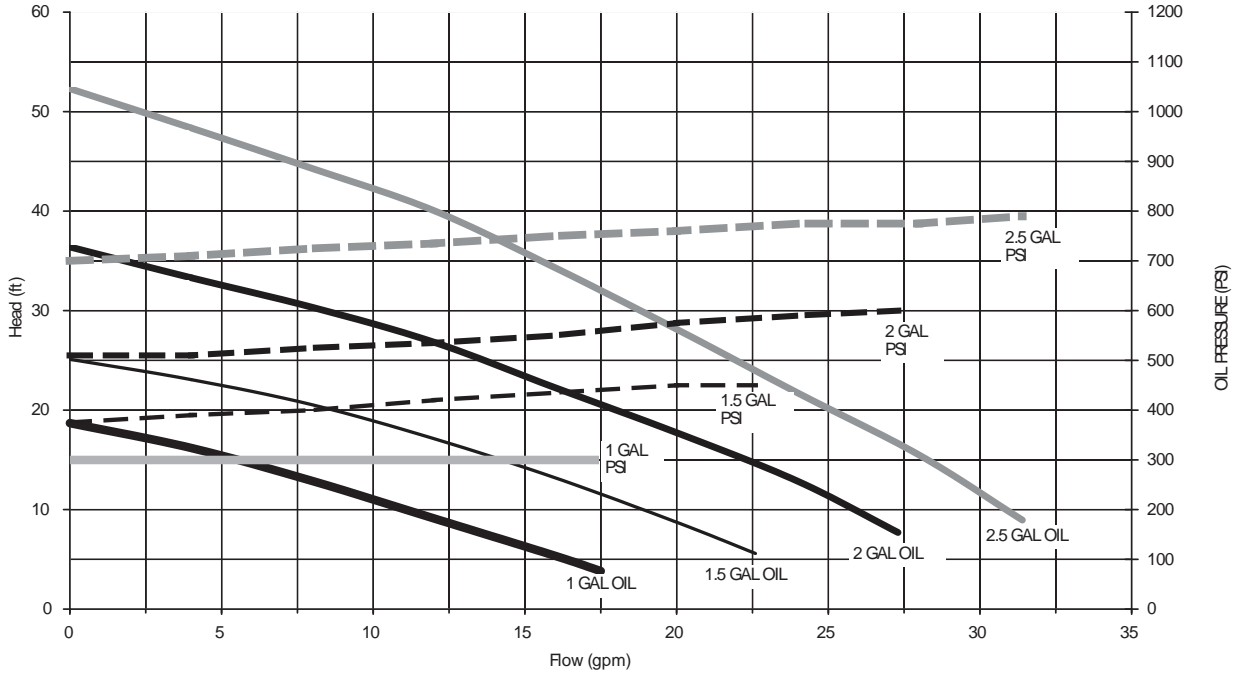
Hydraulic Motor Port Sizes:

- SAE # 4 Pressure
- SAE # 6 Tank

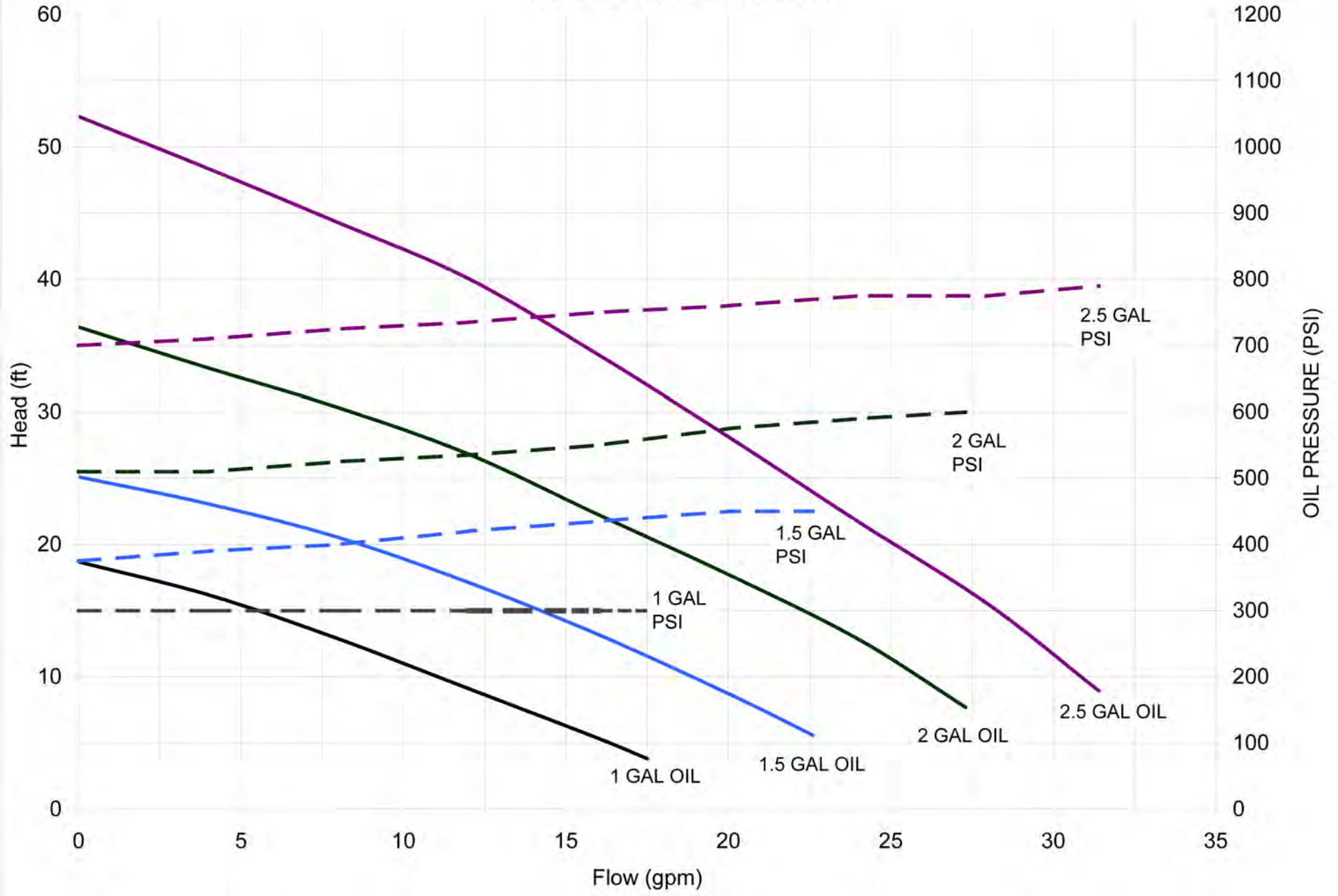
Primetime Pump

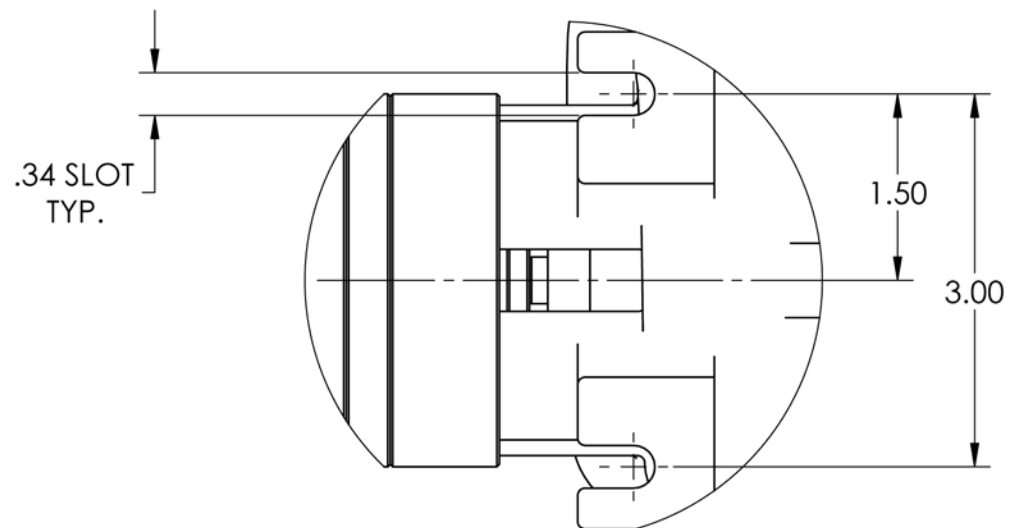
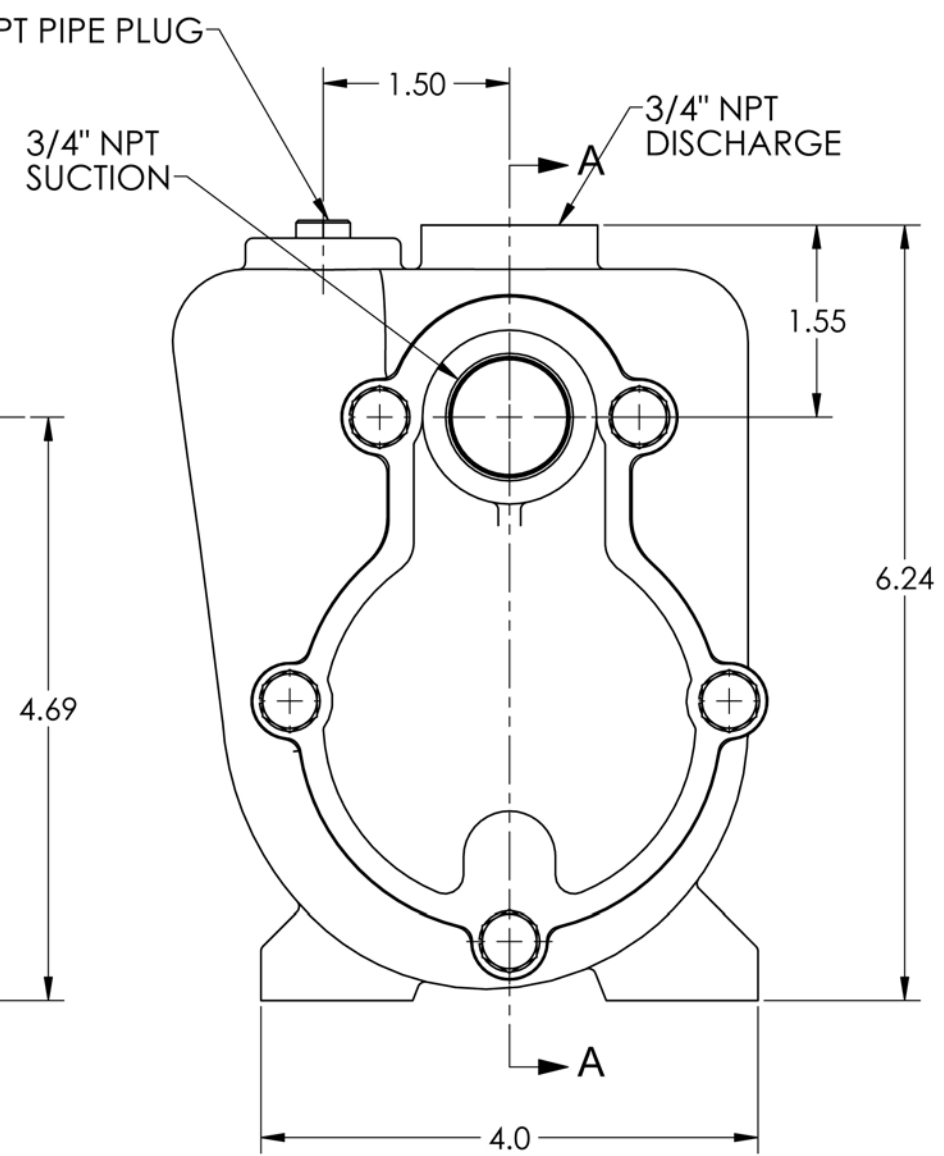
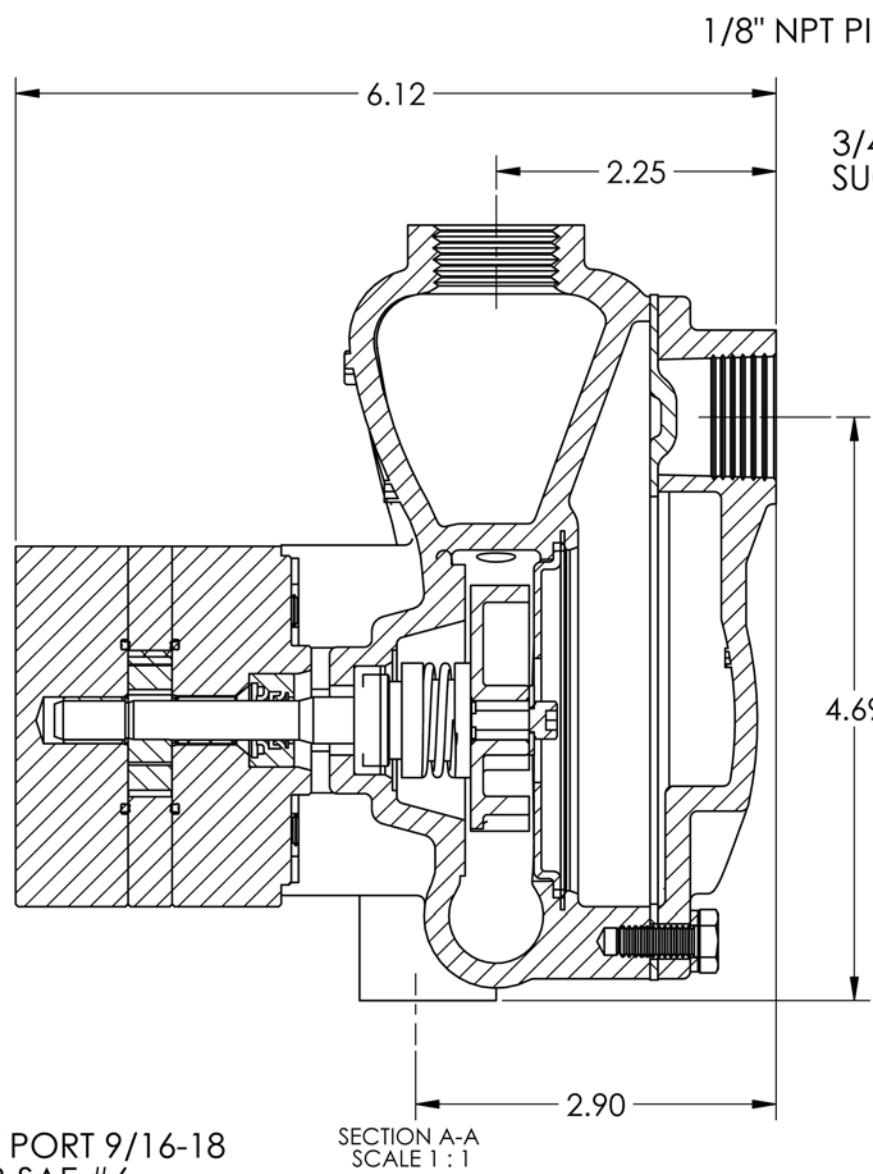
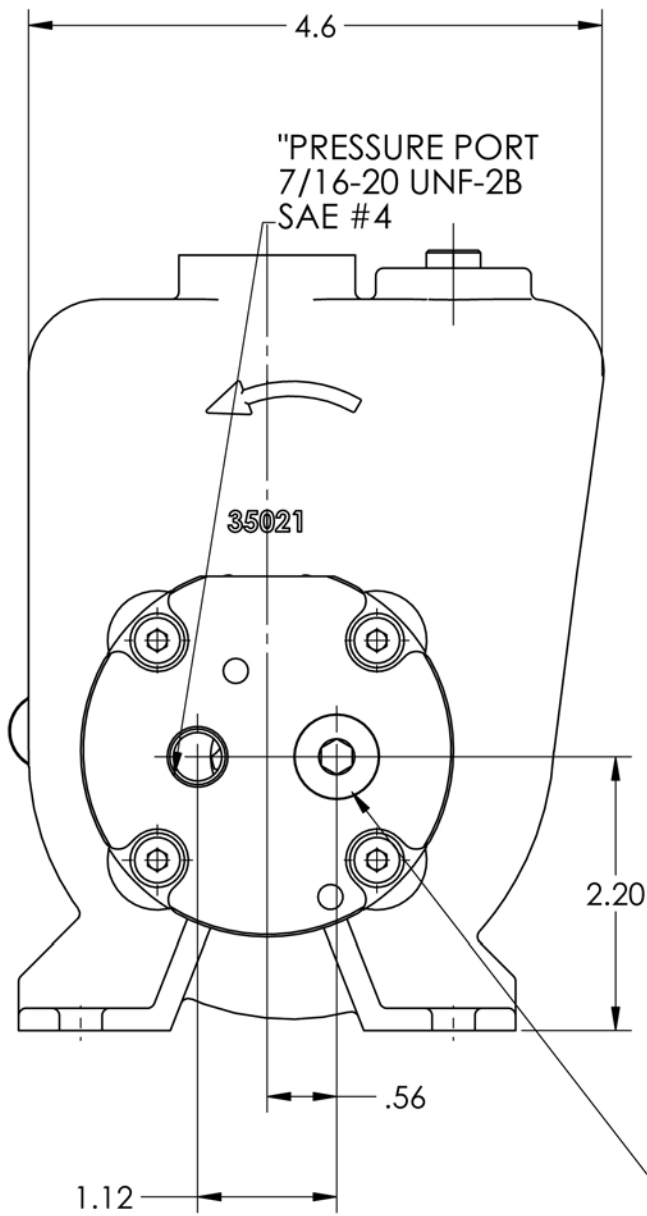
Hydraulic Motor Drive

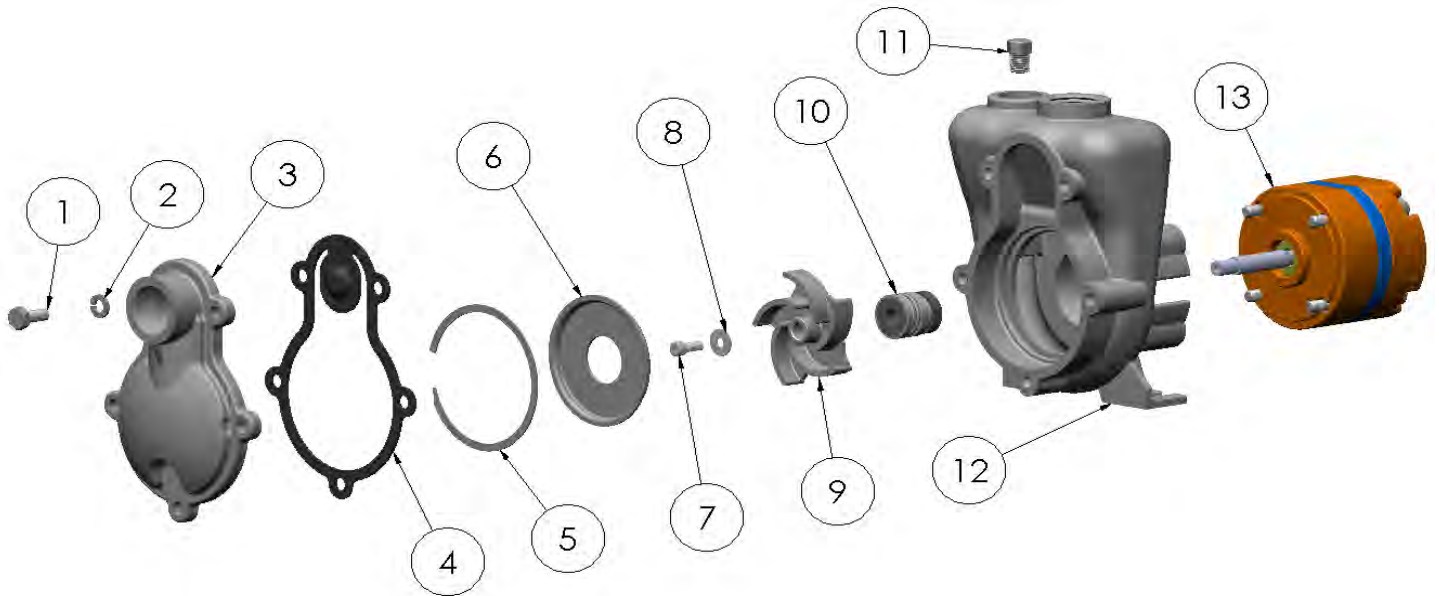
Flow vs. Head/Pressure



**3/4" X 3/4" NPT
HYDRAULIC MOTOR
FLOW VS. HEAD/PRESSURE**







ITEM NO.	PART NO.	DESCRIPTION	QTY.
1	35039	H.H. CAPSCREW SS - 1/4-20 X 5/8	5
2	33564	LOCKWASHER SS - 1/4	5
3	35024	COVER-SS	1
*	4	GASKET-VITON	1
	5	RETAINING RING - S.S.	1
*	6	WEAR PLATE-SS	1
	7	CAPSCREW SS - 10-24 X .50	1
	8	LOCKWASHER SS - 3/16	1
	9	IMPELLER SS - PM	1
*	10	SEAL ASY. TYPE 21 - 3/8"	1
	11	FILL PLUG SS - 1/8	1
	12	HOUSING-SS	1
	13	HYDRAULIC MOTOR ASY	1
	14	CAPSCREW STL 1/4-20X 2.25 N/SHOWN	2

*- RECOMMENDED REPLACEMENT PARTS