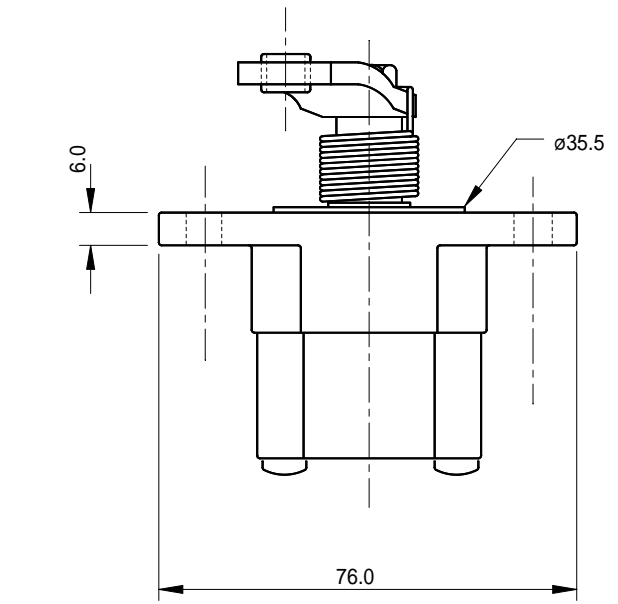
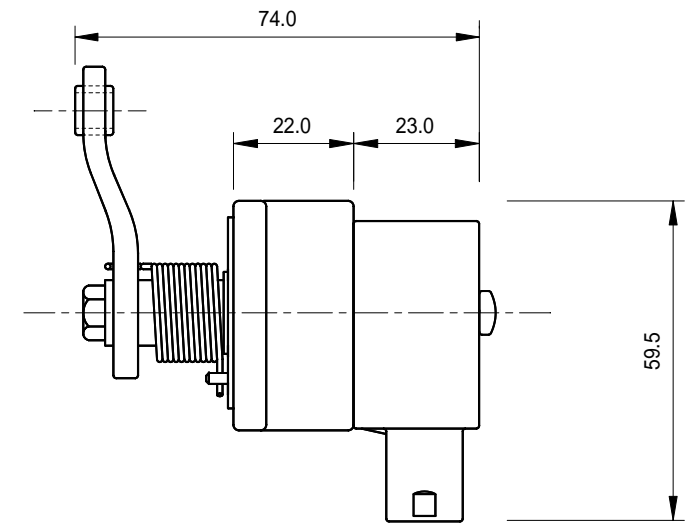
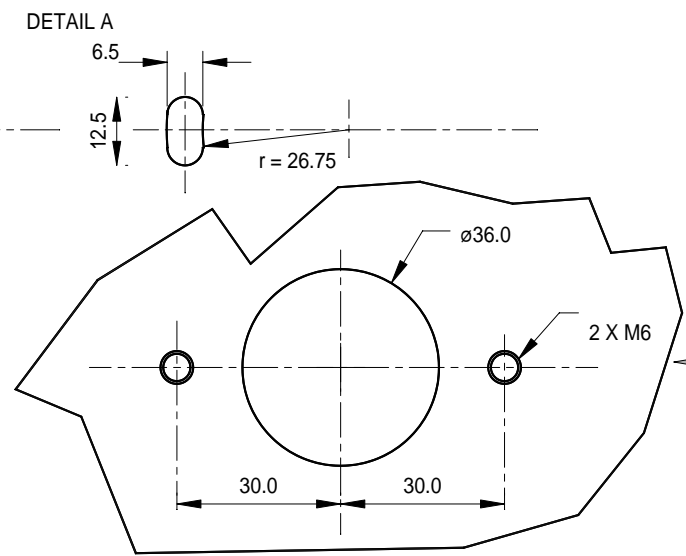


WARNING : IDLE AND FULL THROTTLE POSITIONS ON THE PEDAL SHOULD BE REACHED BEFORE SENSOR ENDSTOPS !



WIRE CONNECTION		
1	RD	MIN 8V ... 36V Supply
2	BU	GND
4	BR	8% - 92% 500Hz

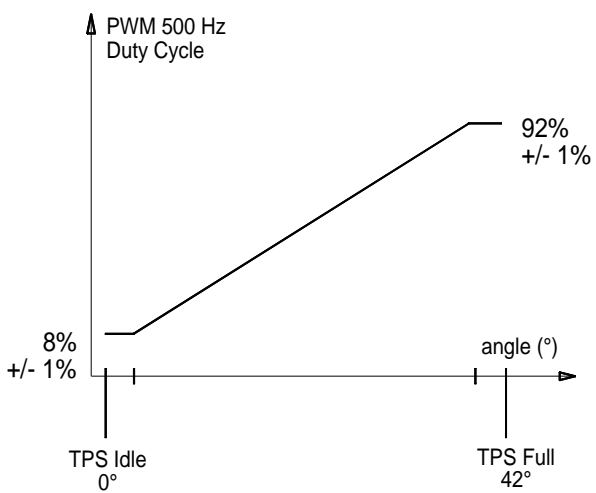
INCLUDED:
COUNTER CONNECTOR KIT P~~N~~TCN 0962 002

Connector : AMP Nr.1-967616-1 (X1)

Terminals : AMP Nr. 0-0963727-2 (X4)

Wire seal : AMP Nr. 0-0967067-1 (X3)

Blind Plug : AMP Nr. 0-0967056-1 (X3)



OPTION :
SUPPLY CABLE HARNESS
PARTS N° : PEH 0962 03 100
(100) = Lenght in cm.

COLOUR CODE				
RD	RED	ROT	ROUGE	ROOD
YL	YELLOW	GELB	JAUNE	GEEL
BL	BLUE	BLAU	BLEU	BLAUW
BR	BROWN	BRAUN	BRUN	BRUIN
BK	BLACK	SCHWARZ	NOIR	ZWART
GY	GREY	GRAU	GRIS	GRIS
WH	WHITE	WEISS	BLANC	WIT
PUR	PURPLE	LILA	VIOLET	PURPER
PK	PINK	ROSE	ROSE	ROSE
GRN	GREEN	GRUN	VERT	GREN
OR	ORANGE	ORANJE	ORANGE	ORANJE
TRQ	TURQUOISE	L/GRUN	TURQUOISE	L/GRON

SIZE : A3	This is a CAD produced drawing. All changes to the document must be conducted on the system.	System : Autosketch v 2.1	Electronic Sensor Position 974000 series	This drawing is the property of Mobile Control System S.A. and is protected in accordance with the prevailing law. Any reproduction or distribution is strictly prohibited.
PARTS N° : 974 245 09	Material : Assembly	Finish : BLACK ANODISED	Weight :	
Drawn by : SB	Generate date : 2006 / 06 / 09.	Modification date :	Scale : 1 / 1	Projection :
Name : THROTTLE POSITION SENSOR 1 x PWM 500HZ CAT ECU			Drawing N° : 501 689	Tolerance : Unless stated + / - 0,1
				Rev: