

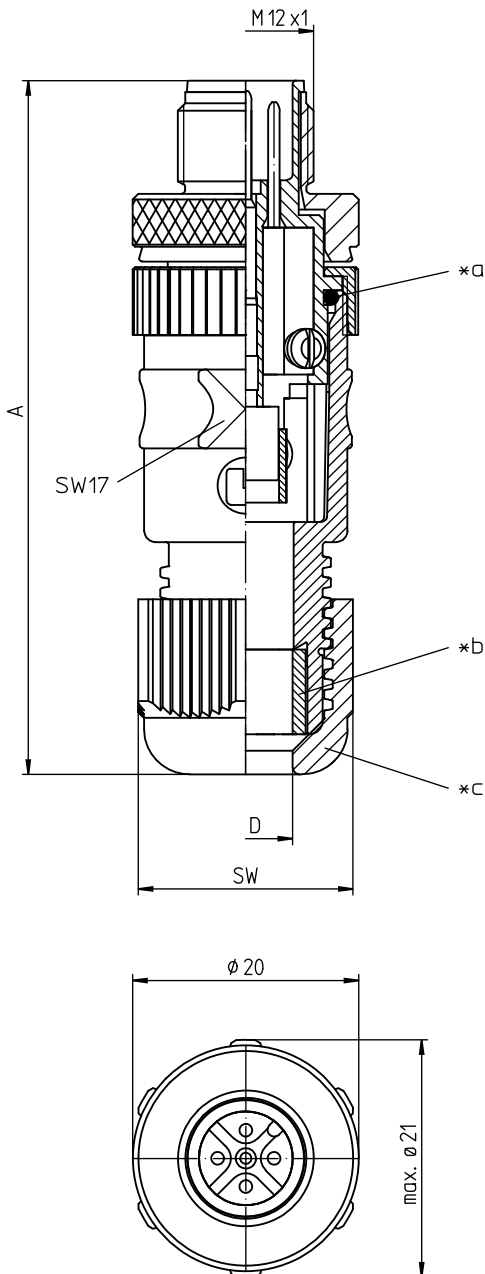
M12 1250

Field-attachable Connectors M12



M12 connector, male, field-attachable, with screw clamps,
straight, A-coded, IP67

M12 1250



Environmental conditions

Temperature range -25 °C/+90 °C

Materials

Insulating body	PA GF, V-0 according to UL94
Contact pin	CuZn, pre-nickel and gold-plated
Housing	PBT, V-0 according to UL94
Knurled screw	CuZn, nickel-plated
Cap nut	PA, V-2 according to UL94
O-ring gasket	FKM
Hose gasket	CR/NBR

Mechanical data

Insertion force	≤ 10 N ¹
Withdrawal force	≤ 15 N ¹
Protection class	IP67 ²

¹ measured with a proper counterpart

² according to IEC DIN EN 60529, only in locked condition with an appropriate counterpart

Connectable conductors for screw clamp

Section	≤ 0.75 mm ² /≅ AWG 20
Cable diameter	3.0–6.5 mm (1250 ... T7) 4.0–8.0 mm (1250 ... T9)

Electrical data (at T_{amb} 20 °C)

Contact resistance	≤ 5 mΩ ¹
Rated current	4 A (T _{amb} 40 °C)
Rated voltage	125 V AC/150 V DC (3-4 poles) 30 V AC/36 V DC (5 poles) (with pollution degree 3) ²
Rated impulse voltage	2.5 kV (3-4 poles) 1.5 kV (5 poles) ²
Material group	II (IEC)/I (UL) (400 ≤ CTI < 600) ²
Insulation resistance	> 1 GΩ

¹ measured with a proper counterpart

² according to IEC 60664/DIN EN 60664, CTI UL classification according to ANSI/UL 746A

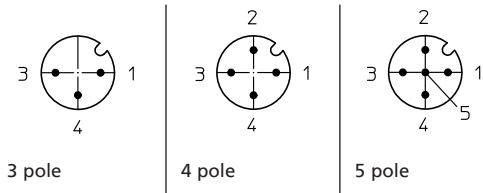
Associated products

Counterparts

☞ 1200 ... 0...	☞ 1200 ... 3...	☞ 1205 ... 0...
☞ 1205 ... 3...	☞ 1206 ... L1 0...	☞ 1206 ... L1 3...
☞ 1206 ... L2 0...	☞ 1206 ... L2 3...	☞ 1210 1200 ... 0...

M12 1250

Pin assignment for male M12 connectors, A-coded, front view



- | | | |
|---|---|---|
| ☞ 1210 1200 ... 3... | ☞ 1210 1205 ... 3... | ☞ 1210 1206 ... L1 0... |
| ☞ 1210 1206 ... L1 3... | ☞ 1210 1206 ... L2 0... | ☞ 1210 1206 ... L2 3... |
| ☞ 1220 ... T16CW ... | ☞ 1221 ... T9CP | ☞ 5500 04DL1 3... |
| ☞ 5500 04L1 3... | ☞ 5500 08DL1 3... | ☞ 5500 08L1 3... |
| ☞ 5512 04DL1 | ☞ 5512 04L1 | ☞ 5512 08L1 |

- Accessories
[☞ 9912 CPM0](#)

- *a O-ring gasket
- *b hose gasket
- *c cap nut

M12 1250

Designation	Pole Number	PU (Pieces)	MDQ (Pieces)	Dimensions		
				A (mm)	D (mm)	SW (mm)
1250 03 T7	3	5	10	59	7 (3.0–6.5)	15
1250 04 T7	4	5	10	59	7 (3.0–6.5)	15
1250 04 T9	4	5	10	62	9 (4.0–8.0)	19
1250 05 T7	5	5	10	59	7 (3.0–6.5)	15
1250 05 T9	5	5	10	62	9 (4.0–8.0)	19

Packaging:
in a plastic bag