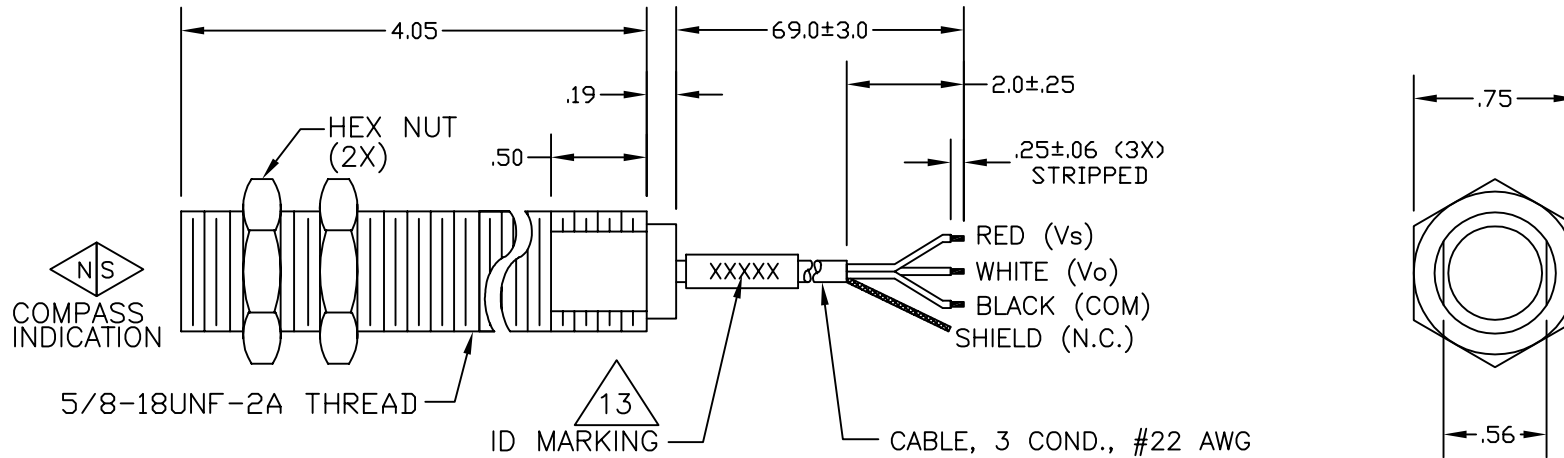


THIS DRAWING AND SPECIFICATIONS ARE THE PROPERTY OF XENSOR CORPORATION, INC. AND SHALL NOT BE REPRODUCED, COPIED OR USED FOR A BASIS FOR MANUFACTURE OR SALE OF EQUIPMENT OR DEVICES WITHOUT WRITTEN PERMISSION.

REVISIONS

REV	DESCRIPTION	DATE	APPROVED
A	INITIAL RELEASE PER ECN 4056	03/29/07	DCS
B	ECN 4063: 40 mA WAS 25 mA	04/18/07	DCS

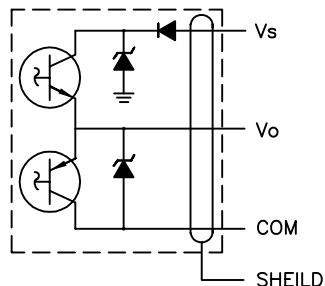


SPECIFICATIONS

1. INPUT VOLTAGE. Vs: 6.0 TO 35VDC.
2. INPUT CURRENT, Is: 20mA MAX. (PLUS LOAD)
3. LOGIC ZERO STATE: 2V MAX @ 40 mA SINK
4. LOGIC ONE STATE: Vs-2.5V MIN @ 40 mA SOURCE
5. TARGET WHEEL 10 PITCH, FERROUS MATERIAL.
6. AIRGAP: 0 TO .080"
7. DUTY CYCLE: 20% TO 80%
8. OPERATING TEMPERATURE: -40°C TO 125°C.
9. OPERATING FREQUENCY: 0Hz TO 15KHz
10. HUMIDITY: STEADY STATE: 95% RH WITH CONDENSATION
11. DIELECTRIC STRENGTH: 150 VRMS
12. CASE MATERIAL: 303 S.S.

1.3. MARK SHRINK TUBING WITH "SS4 XC MM/YY"

OUTPUT CIRCUIT DIAGRAM



Form 00000-006 A

TOLERANCE UNLESS NOTED	
.XX	±.01
.XXX	±.005
.XXXX	±.0005
DRILLED HOLES	±.002
ANGLES	±.5°
UNLESS OTHERWISE SPECIFIED	
ALL DIMENSIONS ARE IN INCHES AND INCLUDE PLATING WHEN SPECIFIED.	
ALL MACHINED SURFACES TO BE 63/ FINISH.	
REMOVE ALL BURRS AND BREAK ALL SHARP EDGES.	
ALL DIAMETERS TO BE CONCENTRIC WITHIN .005 T.I.R. UNLESS NOTED.	

DRAWN	DCS	DATE	03/29/07
CHECKED	DCS	DATE	03/29/07
APPROVED	DL	DATE	03/29/07
APPROVED	DL	DATE	04/04/07
MATERIAL	NOTED		



DREXEL HILL
PA 19026

OUTLINE & SPECIFICATIONS
HALL EFFECT SENSOR

SIZE	A	DWG. NO.	41121-060	REV.	B
SCALE:	NONE		SHEET 1 OF 1		