



veratron 

VERATRON GO

Product presentation



01

PRODUCT OVERVIEW

VERATRON GO – VARIANTS



Veratron GO GPS
B00034901



GNSS Receiver



Veratron GO BLE
B00041601



Bluetooth®



Veratron GO Plus+
B00041701



GNSS Receiver



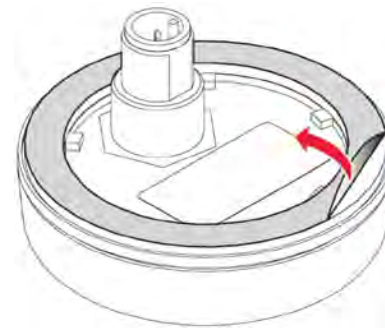
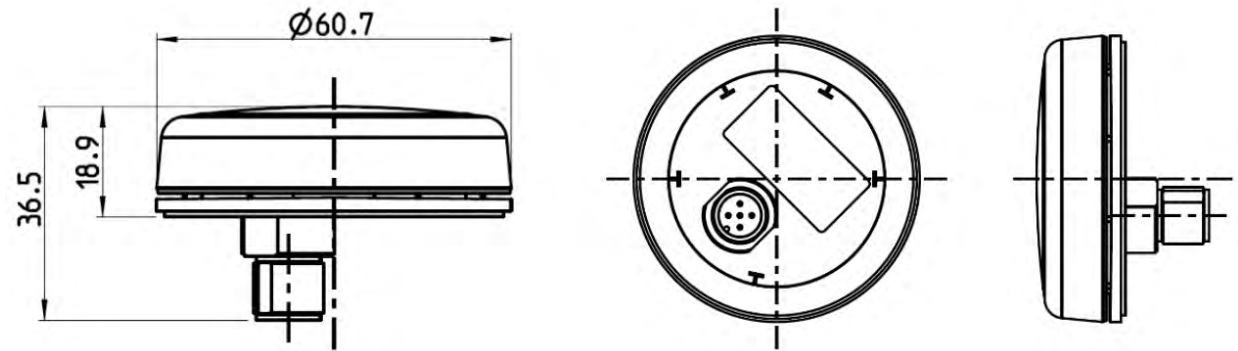
Bluetooth®

VERATRON GO – GENERAL FEATURES

- ▼ **NMEA 2000 certified devices**
- ▼ **Powered by NMEA 2000 backbone (12V nominal voltage), no external power supply required**
- ▼ **Plug&Play installation, no calibrations needed**
- ▼ **Customizable tampon-printed logo on housing**
- ▼ **UL94, Reach and RoHS compliant**
- ▼ **CE and FCC declaration of conformity**



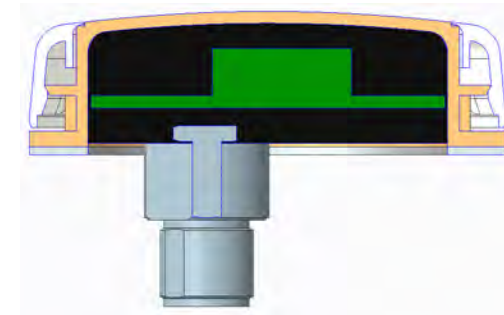
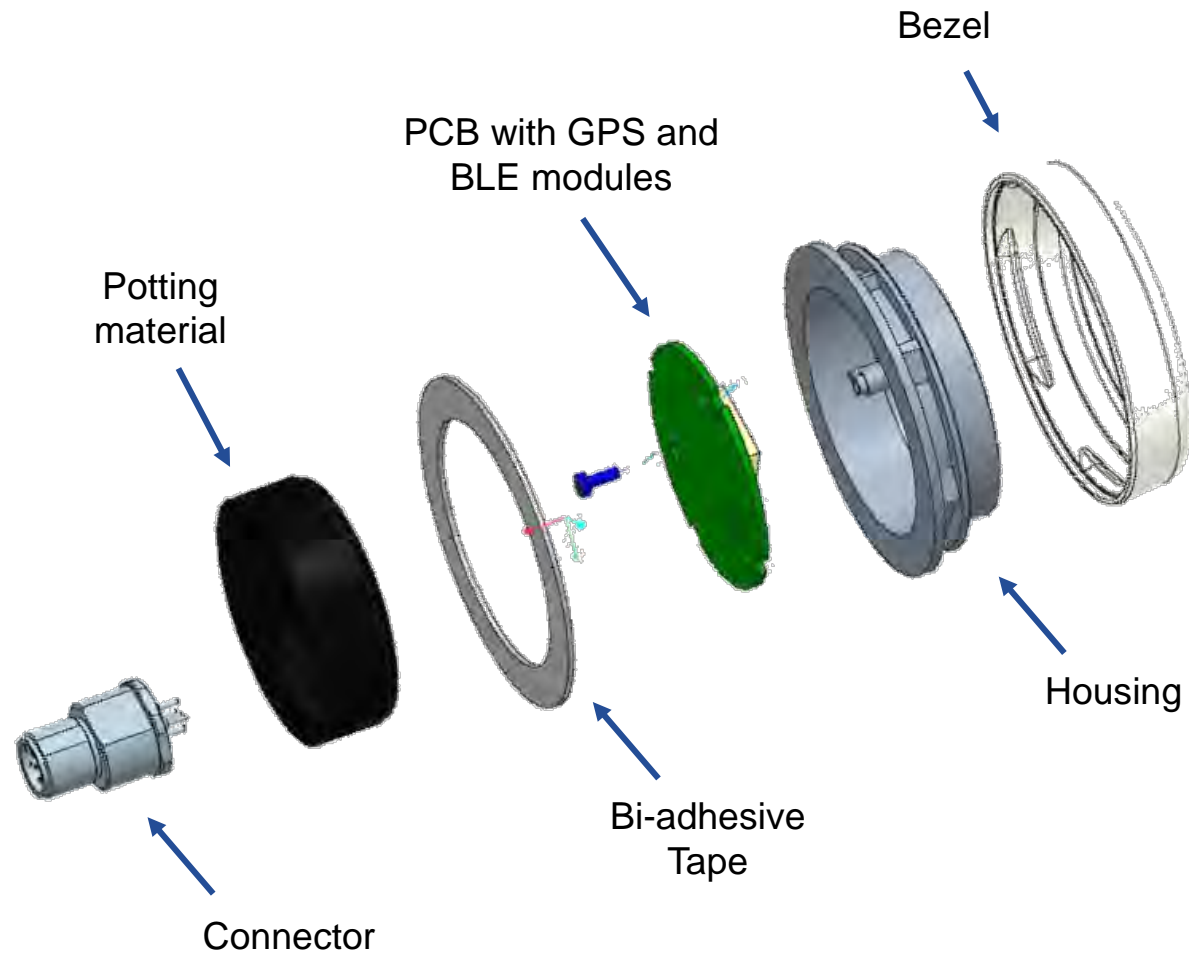
- ▼ **Small installation footprint**
- ▼ **High-performance Bi-adhesive tape surface installation**
- ▼ **Housing in ASA material (Acrylonitrile Styrene Acrylate), white color**
- ▼ **IPX7 acc. IEC60529 “Exposed Device”**
- ▼ **Micro-C M12 5-pin connector**
- ▼ **Compatible with OceanLink 52mm bezels**



NMEA 2000 interface

Pin	Signal
1	Shield
2	NET-S (V+)
3	NET-C (V-)
4	CAN Hi
5	CAN Lo

VERATRON GO – EXPLODED VIEW





veratron 
MARINE

02

VERATRON GO GPS

VERATRON GO GPS – FEATURES

- ▼ Up to 3 concurrent GNSS systems (GPS, GLONASS and GALILEO)
- ▼ SBAS – WAAS/EGNOS/MSAS/GAGAN supported
- ▼ 72 channels reception
- ▼ Up to 10Hz update rate using concurrent GNSS, up to 18Hz using single GNSS
- ▼ Very high tracking sensitivity (-165dBm)
- ▼ 26s position fix cold-start, 1s in hot start
- ▼ Position Accuracy: 2.5m
- ▼ Velocity Accuracy: 0.05m/s
- ▼ Heading Accuracy: 0.3°
- ▼ Front-end SAW band-pass filter for enhanced immunity against electrical noise



The smallest NMEA 2000 GNSS antenna on the market!

VERATRON GO GPS – FEATURES

- ▼ **Device power consumption: 100mA (2 LEN) operational, 150mA (3 LEN) during startup**
- ▼ **NMEA 2000 standard PGNs transmitted for position, time, speed and heading**
- ▼ **Additional troubleshooting page has been added to the Veratron Configuration Tool dedicated to this device**

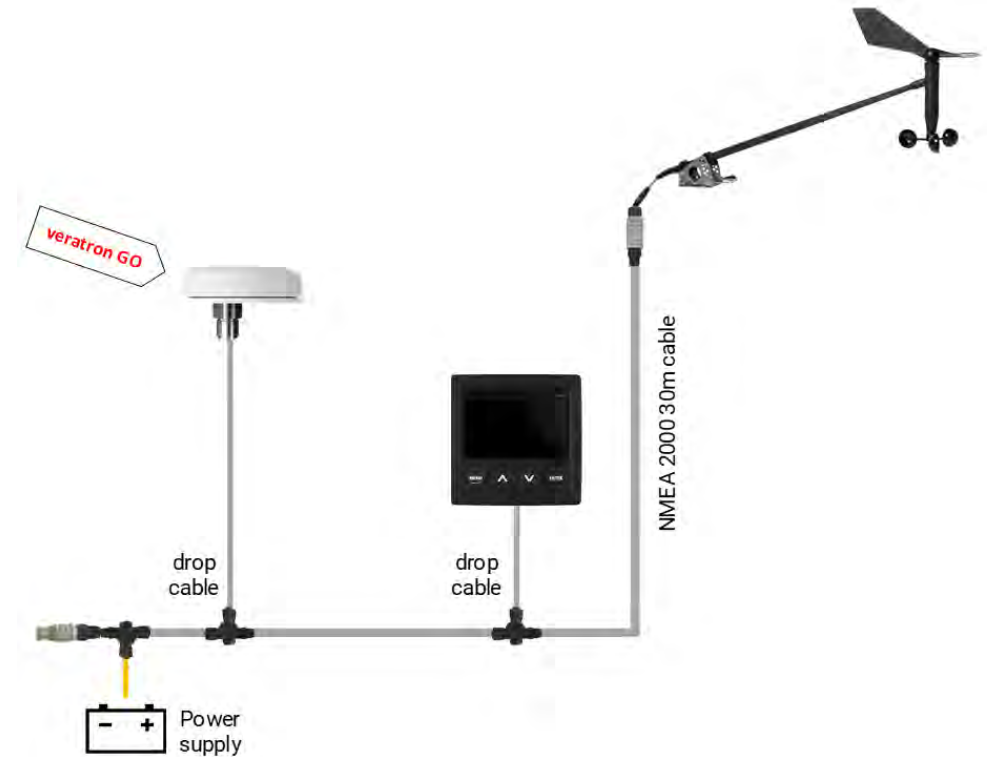


PGN	Description
126992	System Time
129025	Position, Rapid Update
129026	COG & SOG, Rapid Update
129029	GNSS Position Data
129539	GNSS DOPs
129540	GNSS Satellites in View

USE CASE

Enrich the OceanLink displays' displayed information with useful data for navigation like Date/Time, Speed and Course Over Ground.

Use those additional data to calculate other data like True Wind values if used in combination with a Wind Sensor.





veratron 
MARINE

03

VERATRON GO BLE

VERATRON GO BLE – FEATURES

- ▼ **Bluetooth v5 (Bluetooth Low Energy)**
- ▼ **2.4 GHz band, 40 channels**
- ▼ **GATT profile with simultaneous peripheral and central roles**

- ▼ **Up to 7 simultaneous connections of devices**
- ▼ **Supports NFC pairing**
- ▼ **160m connection range**

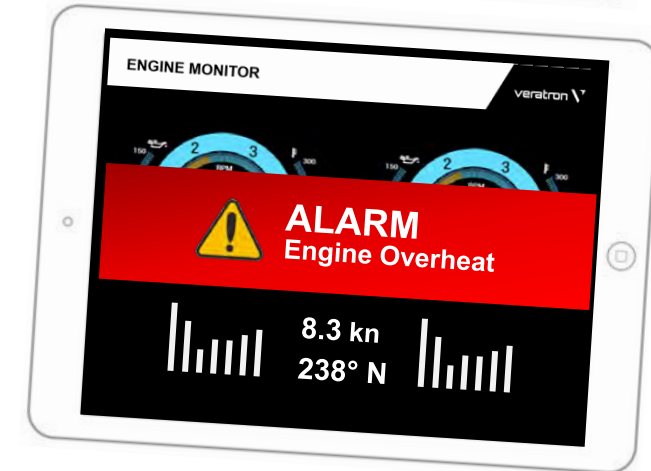
Global certification

Europe (ETSI RED); **US** (FCC/CFR 47 part 15 unlicensed modular transmitter approval); **Canada** (ISED RSS); **Japan** (MIC); **Taiwan** (NCC); **South Korea** (KCC); **Australia / New Zealand** (ACMA); **Brazil** (Anatel); **South Africa** (ICASA)



USE CASE – VESSEL MONITORING

- ✔ Engine and Navigation real-time remote monitoring
- ✔ Alarm notifications / acknowledge
- ✔ Engine functions remote control (e.g. Troll)
- ✔ Anchor monitoring activation
- ✔ Last known status before storage



USE CASE – SERVICE

- ▼ Download of historical/actual DTC data
- ▼ Service center direct contact from App with diagnostic data transmission
- ▼ Spare parts ordering
- ▼ Wireless software updates

