

Travel: (1) 1.94"
(2) 2.47"
(3) 3.01"
(4) 3.54"

MODEL 6524 ELECTRONIC ACTUATOR

This actuator was designed to actuate such items as marine clutches, throttles, trolling valves, controllable pitch propeller mechanisms and various shipboard or industrial applications. The revolutionary design allows for easy installation and adjustment. The output lever has internal resilient link which allows the items to be controlled to be over-stroked without causing any significant harm to the drive train and motor. This is extremely useful if there is wear in the mechanical linkage between our actuator and the item to be controlled. The potentiometers and all wiring are easily accessible under the side covers. An inspection door is also provided for access to the drive train.

Specifications:

Weight: 25 lb. (11.5 kg)
Max. Torque: 90 in.-lb

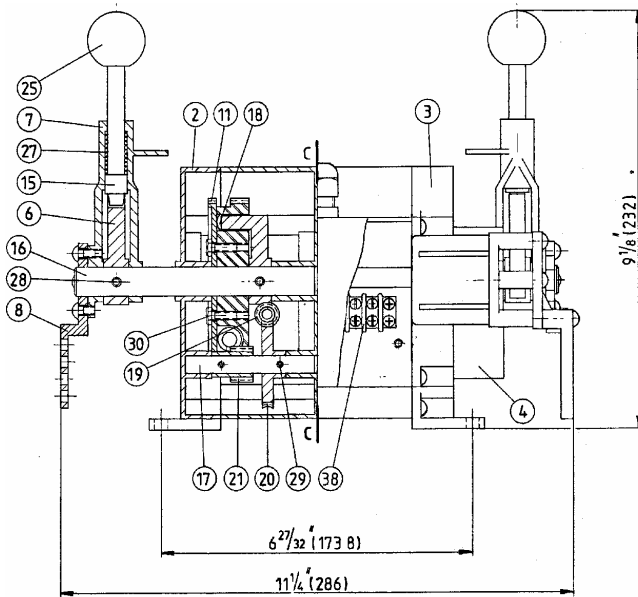
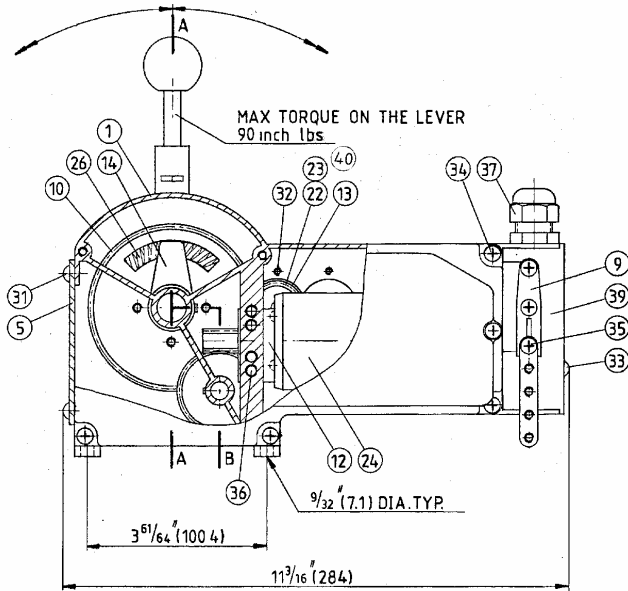
We highly recommend the use of Felsted 43 series cable between our actuator and the item to be controlled.

The unit is constructed in bronze with stainless steel hardware. It is not, however, hermetically sealed and should be installed where it is not directly exposed to water spray.

U.S. Patent # 5848369

DIMENSIONS AND PARTS LIST

MODEL 6524



All dimensions in inches (mm)

Item	Qty	Part Number	Description
1	1	6524-0001	Centre Housing
2	1	6524-0002	Side Housing
3	1	6524-0003	Side Housing
4	2	6524-0004	Cover
5	1	6524-0005	Front Cover
6	2	6524-0006	Disconnect Cam
7	2	6524-0007	Disconnect Arm
8	2	6524-0008	Swing Arm
9	2	6524-0009	Stationary Arm
10	2	6524-0010	Gear
11	2	6524-0011	Gear
12	2	6524-0012	Bracket
13	2	6524-0013	Potentiometer Bracket
14	2	6524-0014	Torque Arm
15	2	6524-0015	Handle
16	2	6524-0016	Shaft
17	2	6524-0017	Shaft
18	2	6524-0018	Spring Retainer
19	2	6524-0019	Worm Gear
20	2	6524-0020	Pinion Gear
21	2	6524-0021	Gear - Martin TS2014
22	2	YPB-3236	Potentiometer Drive Gear
23	2*	POT-5	Potentiometer 5K
24	2	Motor-14202	Motor Pittman 24VDC "14202E167-R1"
25	2	2030-0001	Knob Black
26	2	1201-0196	Spring
27	2	1201-0140	Spring
28	4	1024-0818	Spring Pin
29	4	1024-0510	Spring Pin
30	8	1001-0808	Hex Head Cap Screw
31	8	1010-0806	Round Hd Philips Screw
32	16	1012-0606	Pan Hd Philips Screw
33	2	1012-0828	Pan Hd Philips Screw
34	24	1010-0808	Round Hd Philips Screw
35	2	1012-0820	Pan Hd Philips Screw
36	4	1002-1010	Socket Hd Cap Screw
37	1	6001-0249	Connecting Gland
38	1	6009-0008	Terminal Block
39	1	6524-0024	Cover
40	1	1016-0602	Set Screw

* item not shown