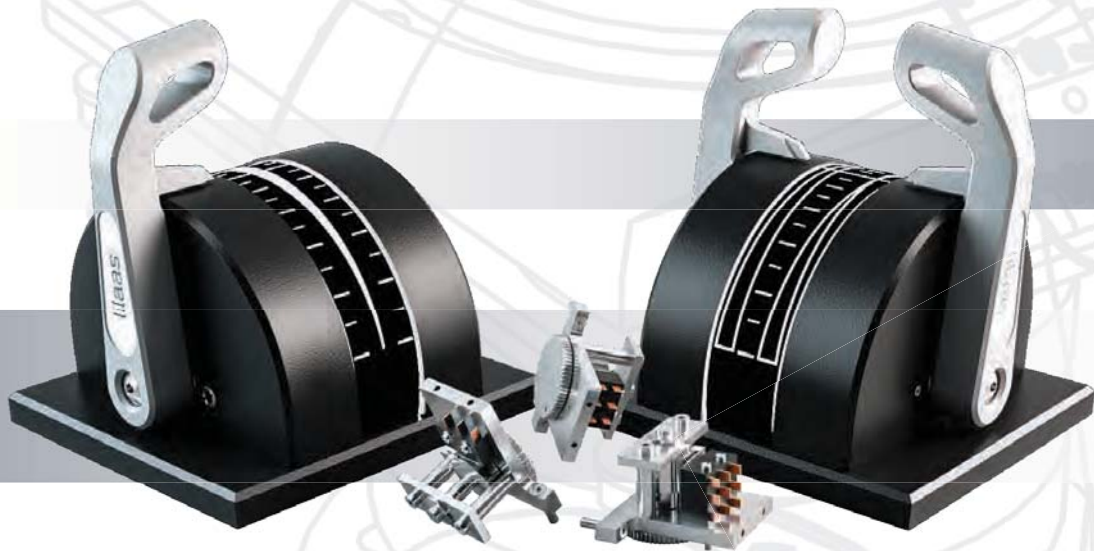




## LE90 Control Lever

**lilaas**<sup>®</sup>



## LE90, the high quality - low cost all-in-one thruster and propulsion lever

No need for dedicated thruster/propulsion, FWD or AFT levers, LE90 covers it all. Flush mounted with adjustable brakes and detents.

### • Quality Control lever

- High quality - Low cost! Single or double lever.
- LED-illuminated interchangeable scales in the box. (5v or 24v)
- Space saving! Flush mounted, no parts under the plate.
- Snap on single/double switches available as option.
- Adjustable brakes and detents.
- Interchangeable single, double and triple switch modules.

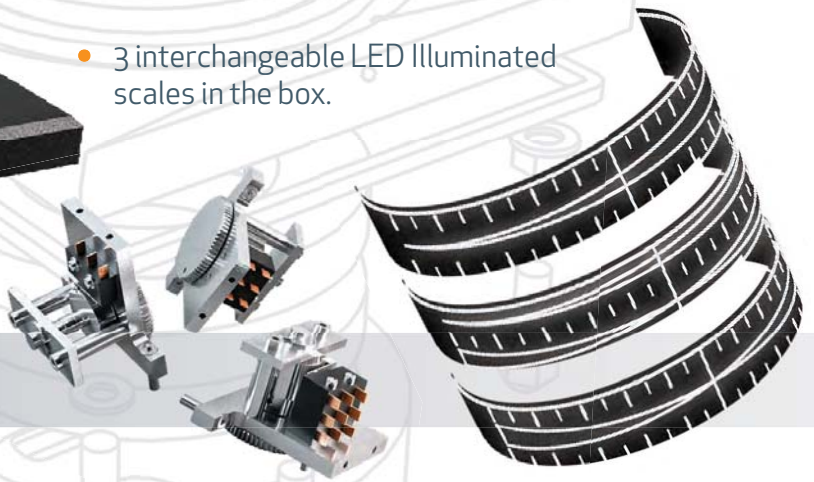


- Single or double lever.
- 5K $\Omega$  potentiometer.
- Detent in zero and 20% included.
- Mechanical movement +/- 60 degree.
- Adjustable friction.
- Block aft option. (additional screw in the box)
- Illuminated LED scale.





- Adjustable and customisable
- Available as single or double control lever.
- Interchangeable custom logo space on the handle.
- 3 pre-adjusted and easily interchangeable switch modules are available for both versions of the LE-90.
- Adjustment screws for adjusting friction, handle detent point and block movement aft.
- 3 interchangeable LED illuminated scales in the box.



• **Specification details**

Enclosure:	IP66
Materials:	Aluminium, Steel A2, POM
Finish:	Anodised, SurTec
Appr. weight	900g
Handle movement / Electrical movement:	+/- 60° / 246 deg
Potentiometer:	5KΩ 350 deg max wiper current 1mA
Detent:	Zero and +/- 20%.
Friction:	Adjustable
Block aft movement:	One handle (additional screw in box)
Scale foil:	3 types included in box
Illuminated scale:	RGB led, 5VDC or 24VDC
Type approval*:	EN/IEC 60945, ABS, BV, DNV/GI, KR, LR, NK,, RINA, PRS, RS, C RS (*Pending)

- This control lever is one of several models developed and manufactured by Lilaas AS. It has been tested according to our final test and final control procedures.

• **Product NO and additional products:**

LE90S-01-01	LE90 Control Lever Single
LE90D-01-01	LE90 Control Lever Double
LF16441 LE90	2x switch direction module
LF 16442 LE90	1x switch zero module
LF16539 LE90	2x switch direction + 1x zero module

